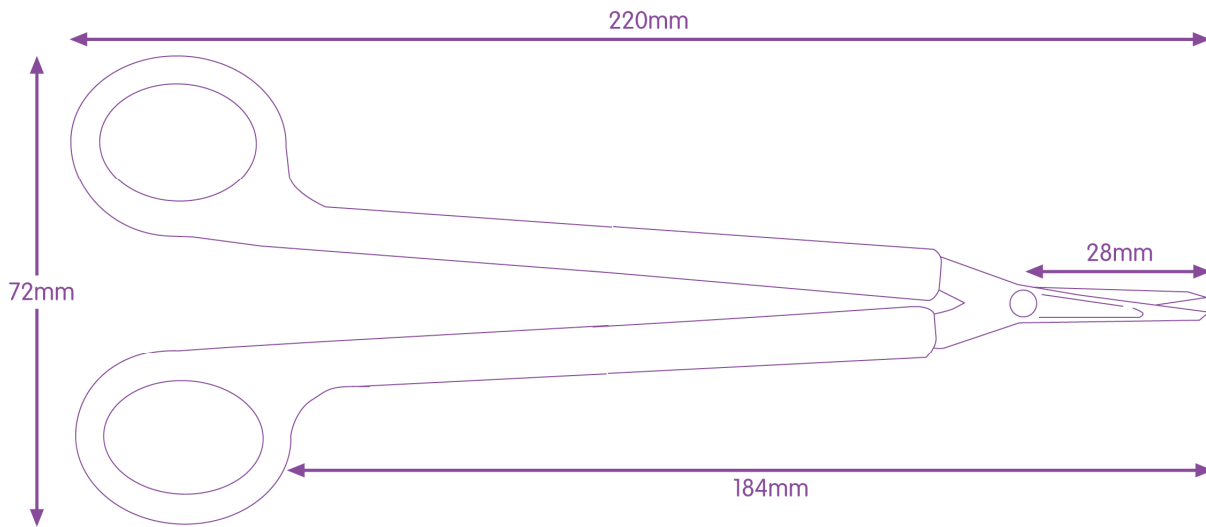


# Pelican Long Scissors

## Technical Data Sheet



Measurements per pack of 50: weight 1.3kg. Dimensions: 25.5cm Width, 39cm Height, 18.7cm Depth.

### Materials:

Body - Acrylonitrile Butadiene Styrene (ABS)

Blades/Rivet - Stainless Steel

**Note that no latex is present**

### Peel Pouch:

A clean peelable pouch system, comprising one web of medical grade paper combined with a second web having a polyethylene laminated sealing face.

Suitable for sterilisation by Ethylene Oxide (ETO).

Seal strength: Minimum seal strength of 2N/15mm.

### Safety Data:

There are no components presenting significant hazards or requiring specific personal protection or first aid measures.

All clinical waste should be disposed of in accordance with Local Health Authority and Department of Health guidelines.

Active Life Storage:- 5 years after manufacture. There is no specific safety recommendation for handling. Storage should be in the original packaging in a cool dry place.

The product should only be used by trained medical staff for examination in a clean environment.

Single-use only.



0120



14.06.10

**A UK manufacturer - committed to quality, service, trust, innovation and value**

**Pelican Healthcare Ltd**

Cardiff Business Park, Cardiff. CF14 5WF

Freephone: 0800 013 1220 Facsimile: 029 2074 7001

e-mail: [contactus@pelicanhealthcare.co.uk](mailto:contactus@pelicanhealthcare.co.uk)

[www.pelicanhealthcare.co.uk](http://www.pelicanhealthcare.co.uk)

**pelican**  
**HEALTHCARE**  
an eakin company